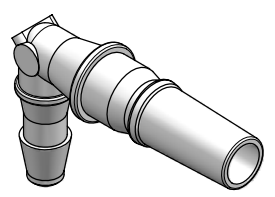
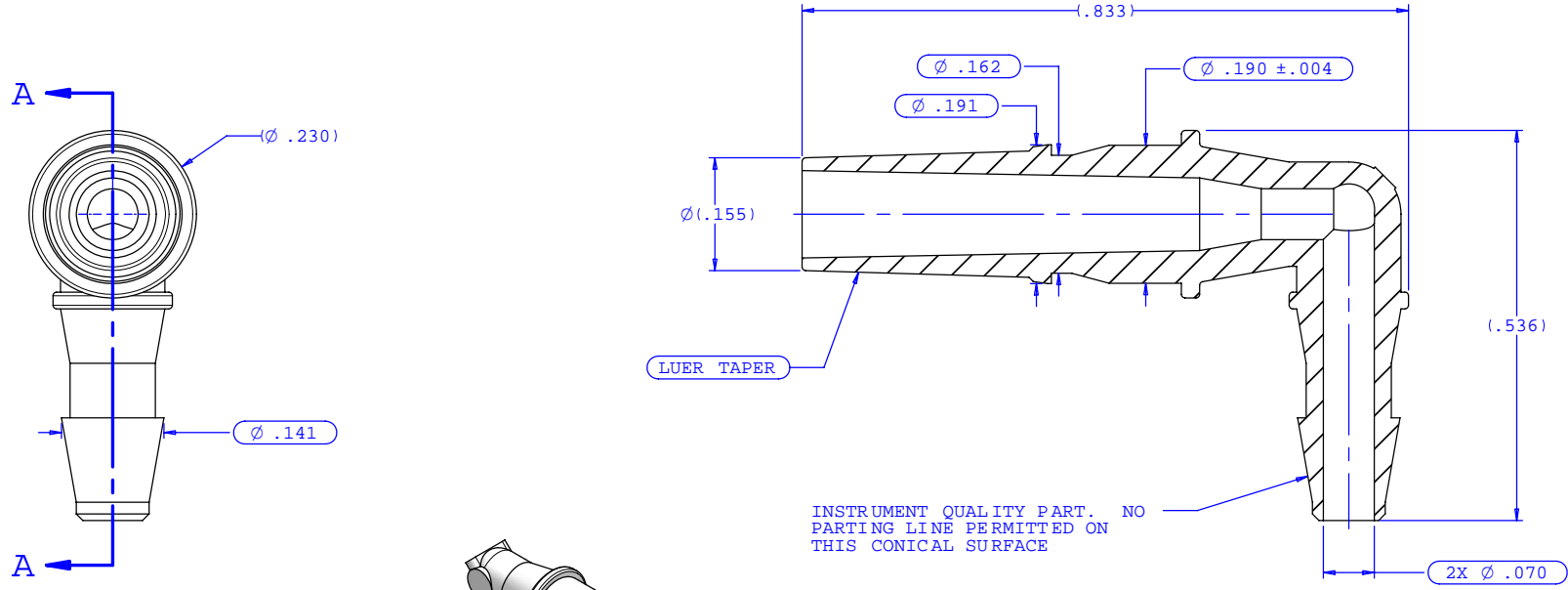


NOTE: FOR MORE DETAILS SEE YOUR V.P.CUSTOMER SERVICE REP.

| REVISIONS |                 |          |          |
|-----------|-----------------|----------|----------|
| REV.      | DESCRIPTION     | DATE     | APPROVED |
| A         | INITIAL RELEASE | 09-29-06 | Rick C.  |



SECTION A-A

|   |   |  |                            |
|---|---|--|----------------------------|
| UNLESS OTHERWISE SPECIFIED<br>DIMENSIONS ARE IN INCHES<br>TOLERANCES ARE: |   | <b>VALUE PLASTICS, INC.</b>  |                            |
| FRACTIONS<br>±  | DECIMALS<br>.XX ±.01<br>.XXX ±.005<br>.XXXX ±.001 | ANGULAR<br>±1°   | PART NUMBER: <b>LE7220</b> |
| DO NOT SCALE DRAWING  |   | DESCRIPTION: Male Luer to 200 Series Barb Elbow, 3/32" (2.25 mm) ID Tubing (May be used with separate rotating lock ring; FSLLR) |                            |
| DRAWN BY:<br><b>Jeff Garland</b>  | DATE:<br><b>09-28-06</b>                          | SIZE:<br><b>B</b>  | SCALE:<br><b>NTS</b>       |
| Engineer/Manager:<br><b>Rick Cairns</b>                                   |   | DRAWING NUMBER:<br><b>1009378</b>  | REV.<br><b>A</b>           |
| © 2005 VALUE PLASTICS, INC.   |   |  | SHEET: 1 OF 1              |

**FOR REFERENCE ONLY**